

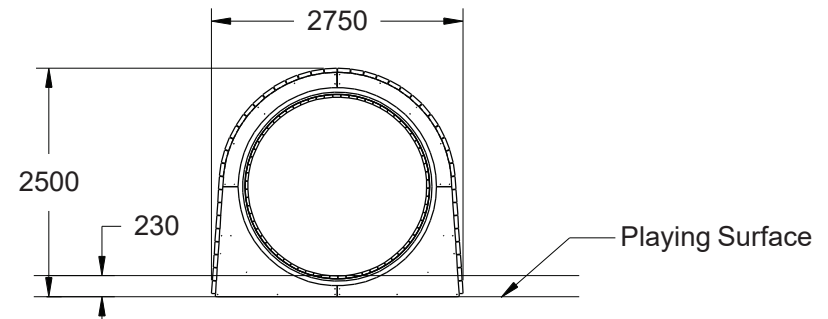
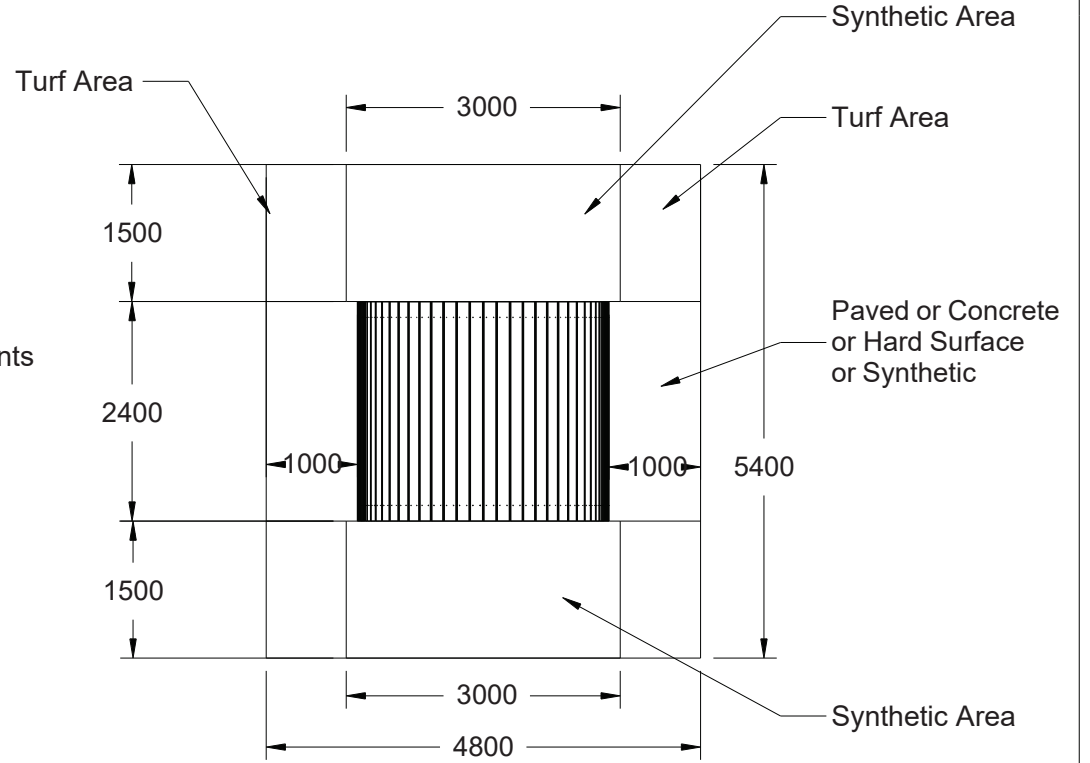
Minimum Space AUS
4800mm x 5400mm

Surface Recommendations AUS

Option 1
Synthetic 1500 x 3000, FHO 500mm, at entry and exit points
Turf to make up remainder of minimum space requirements

Option 2
Loose fill, FHO 500mm, and an area no less than minimum space requirements (4800mm x 5400mm)

Free Height of Fall AUS
Less than 500mm



Do not scale off drawing

| | | | | | | | | |
|------------------------------|-------------------|--|---------|-------|--------------------------|---------|--------------------------|------------|
| Copyright ROKtopus | Product SM2000 | Surface Recommendations AUS AS 4685:2014 | Edition | Scale | Drawn by Roktopus Ltd | Checked | Drawn Date 14/07/2014 | Sheet 3 |
|------------------------------|-------------------|--|---------|-------|--------------------------|---------|--------------------------|------------|