

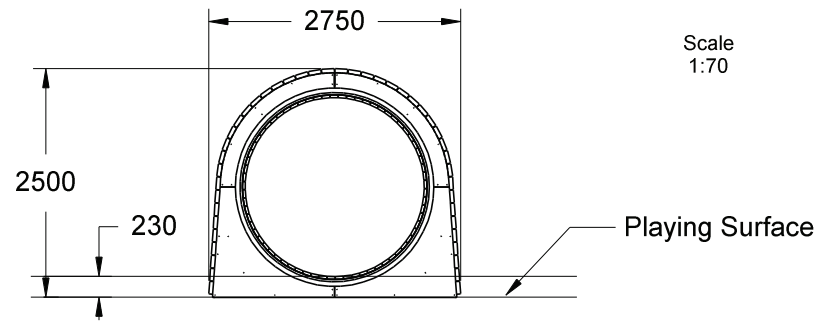
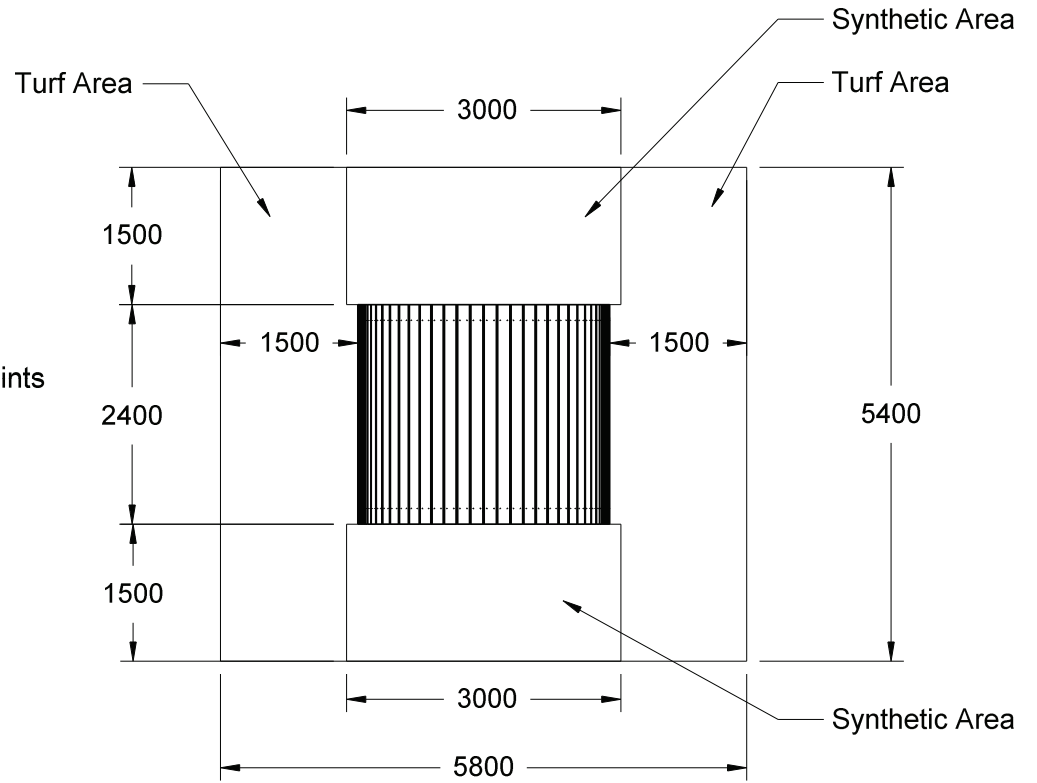
Minimum Space NZ
5800mm x 5400mm

Surface Recommendations NZ

Option 1
Synthetic 1500 x 3000, FHO 500mm, at entry and exit points
Turf to make up remainder of minimum space requirements

Option 2
Loose fill, FHO 500mm, and an area no less than minimum space requirements (5800mm x 5400mm)

Free Height of Fall NZ
Less than 500mm



Do not scale off drawing

Copyright 	Product SMH 2000	Surface Recommendations NZ	Edition	Scale 1:70	Drawn by Roktopus Ltd	Checked	Drawn Date 31/10/2011	Sheet 3
--	---------------------	-----------------------------------	---------	---------------	--------------------------	---------	--------------------------	------------